

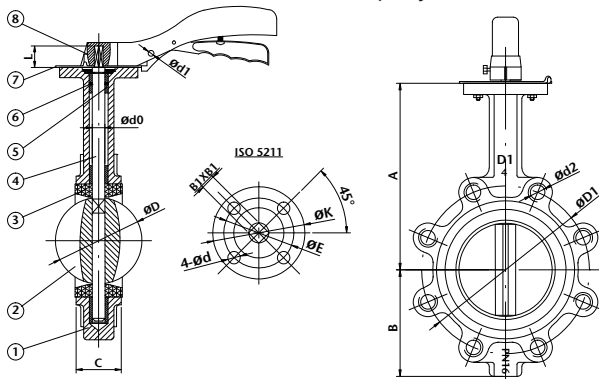
ART 140

Ductile Iron Butterfly Valve Lugged & Tapped



Features

- Flanged only
- BS5155 (BS EN 593)
- ISO 5211 direct mount
- Lockable handle
- Epoxy coat finish



Technical data

Max pressure: 16 Bar

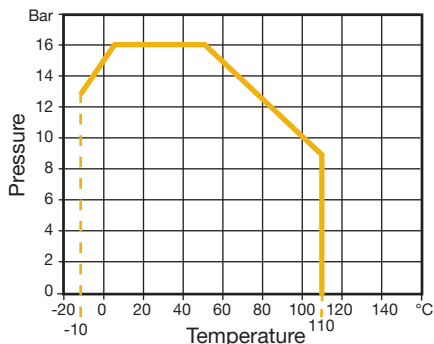
Working temp: -10°C to +110°C

DN	2"	2 1/2"	3"	4"	5"	6"	8"	10"	12"
A	140	150	158	176	190	211	235	265	305
B	80	89	95	114	127	139	175	203	242
C	42.0	44.7	45.2	52.0	54.4	55.8	60.6	65.6	76.9
D	52.9	64.5	78.8	104.0	123.3	155.1	202.5	250.5	301.5
D1	125	145	160	180	210	240	295	355	410
L	26	26	26	30	30	30	36	36	36
d0	12.6	12.6	12.6	15.8	18.9	18.9	22.1	28.5	31.6
d1	6	6	6	6	6	6	6	6	6
d2	4x16	4x16	8x16	8x16	8x16	8x20	12x20	12x24	12x24
ISO 5211	F05	F05	F05	F07	F07	F07	F10	F10	F10
K	65	65	65	90	90	90	125	125	125
d	4x7	4x7	4x7	4x10	4x10	4x10	4x12	4x12	4x12
B1	9	9	9	11	14	14	17	22	22
Torque	15.1	17.2	23.1	39.8	61.9	102.0	192.0	323.0	490.0
Kv	99	168	259	514	876	1353	2687	4576	7069
Kgs	3.15	3.80	4.80	6.97	8.70	10.60	19.00	27.98	37.46

We strongly advise gearbox on all 8", 10" and 12" valves.

N. Part Name Materials

1	Body	Ductile Iron GGG40
2	Disc	Stainless Steel 316
3	Seat	EPDM
4	Stem	Stainless Steel 410
5	Bush	PTFE
6	O-Ring	EPDM
7	Indicator	Carbon Steel
8	Handle	Aluminium



V1. Dimensions in mm

This data sheet is designed as a guide and should not be regarded as wholly accurate in every detail. We reserve the right to amend the specification of any product without notice.